

# Texture Guns

**Models: 288628, 288629, and 245924**

125 psi (8.75 bar, 0.875 MPa) Maximum Air Working Pressure  
70 psi (4.9 bar, 0.49 MPa) Maximum Fluid Working Pressure



**IMPORTANT SAFETY INSTRUCTIONS.** Refer to your sprayer instruction manual for Pressure Relief, priming and spray instructions. Keep these instructions.



Model  
288628,  
no hopper

Model  
245924,  
with hopper



ti8808a



Model  
288629

ti8508a



311777D

**- For Water-Based Materials Only -**

The following Warnings are for the setup, use, grounding, maintenance and repair of this equipment. The exclamation point symbol alerts you to a general warning and hazard symbols refer to procedure-specific risks. Refer back to these Warnings. Additional, product-specific warnings may be found throughout the body of this manual where applicable.



## WARNINGS



### PRESSURIZED EQUIPMENT HAZARD

Fluid from the gun/dispense valve, leaks, or ruptured components can splash in the eyes or on skin and cause serious injury.

- Follow **Pressure Relief Procedure** in this manual when you stop spraying and before cleaning, checking, or servicing equipment.
- Tighten all fluid connections before operating the equipment.
- Check hoses, tubes, and couplings daily. Replace worn or damaged parts immediately.



### FIRE AND EXPLOSION HAZARD

Flammable fumes, such as solvent and paint fumes, in **work area** can ignite or explode. To help prevent fire and explosion:

- Use equipment only in well ventilated area.
- Eliminate all ignition sources; such as pilot lights, cigarettes, portable electric lamps, and plastic drop cloths (potential static arc).
- Keep work area free of debris, including solvent, rags and gasoline.
- Do not plug or unplug power cords, or turn power or light switches on or off when flammable fumes are present.
- Ground all equipment in the work area. See **Grounding** instructions.
- Use only grounded hoses.
- Hold gun firmly to side of grounded pail when triggering into pail.
- If there is static sparking or you feel a shock, **stop operation immediately**. Do not use equipment until you identify and correct the problem.
- Keep a working fire extinguisher in the work area.



### EQUIPMENT MISUSE HAZARD

Misuse can cause death or serious injury.

- Do not operate the unit when fatigued or under the influence of drugs or alcohol.
- Do not exceed the maximum working pressure or temperature rating of the lowest rated system component. See **Technical Data** in all equipment manuals.
- Use fluids that are compatible with equipment wetted parts. See **Technical Data** in all equipment manuals. Read fluid manufacturer's warnings. For complete information about your material, request MSDS forms from distributor or retailer.
- Check equipment daily. Repair or replace worn or damaged parts immediately with genuine manufacturer's replacement parts only.
- Do not alter or modify equipment.
- Use equipment only for its intended purpose. Call your distributor for information.
- Route hoses and cables away from traffic areas, sharp edges, moving parts, and hot surfaces.
- Do not kink or over bend hoses or use hoses to pull equipment.
- Keep children and animals away from work area.
- Comply with all applicable safety regulations.



### PERSONAL PROTECTIVE EQUIPMENT

You must wear appropriate protective equipment when operating, servicing, or in the operating area of the equipment to help protect you from serious injury. This equipment includes but is not limited to:

- Protective eyewear
- Clothing and respirator as recommended by the fluid and solvent manufacturer
- Gloves
- Hearing protection

# Pressure Relief Procedure



## WARNING



Follow this **Pressure Relief Procedure** whenever you are instructed to relieve pressure, stop spraying, check or service equipment or install or clean spray tip.

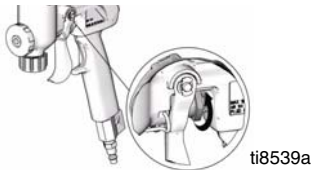
1. Turn OFF power and turn sprayer pressure control to lowest pressure setting.
2. Trigger gun into pail to relieve pressure.

## Cleaning and Lubricating

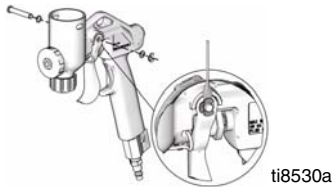
Disassemble needle assembly and clean and grease o-rings regularly to prolong gun life.

## Disassembly

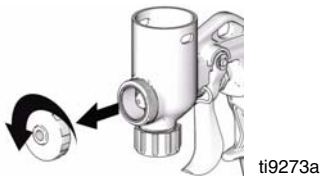
1. Perform **Pressure Relief Procedure** (see above).
2. Remove hopper or material hose from gun.
3. Clean off as much material on gun body as possible.
4. Turn flow adjustment nut counter-clockwise to enable trigger to have full range of travel.



5. Using a small flat screwdriver, pry retaining ring off of trigger pin. Remove pin, washer, and trigger.



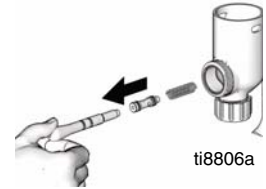
6. Unscrew nozzle and remove it from gun.



7. Hold needle securely in place so it does not turn while turning flow control clockwise until needle is disengaged from thread and released. Pull needle and o-rings out front of gun.
8. Hold hand under trigger area to catch adjustment nut, spring retainer, and spring. Tap gun lightly to loosen spring or use a small screwdriver to loosen.

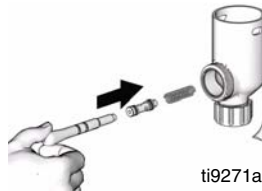


9. Remove plug and use small screwdriver to remove all components out front of gun.



## Assembly

1. Hold gun as shown and insert spring in front of gun.



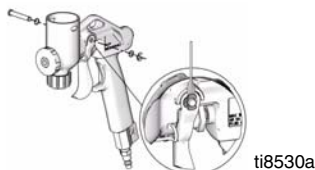
2. Insert spring guide with o-ring into flow adjustment nut. Make sure the protruded end of the guide points out as shown.
3. Position flow adjustment nut in seat on gun body.
4. Apply a generous amount of grease to o-rings.
5. Rest gun on air connection fitting. Slide needle into front of gun.



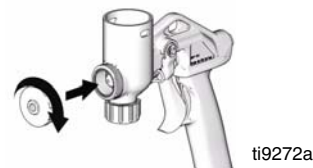
6. While pushing needle into gun, turn flow adjustment nut counter-clockwise to tighten needle.
7. Pull back on flow adjustment nut or continue pushing needle in to make room for trigger.



8. Insert pin through trigger and washers. Push the retaining clip onto the pin.

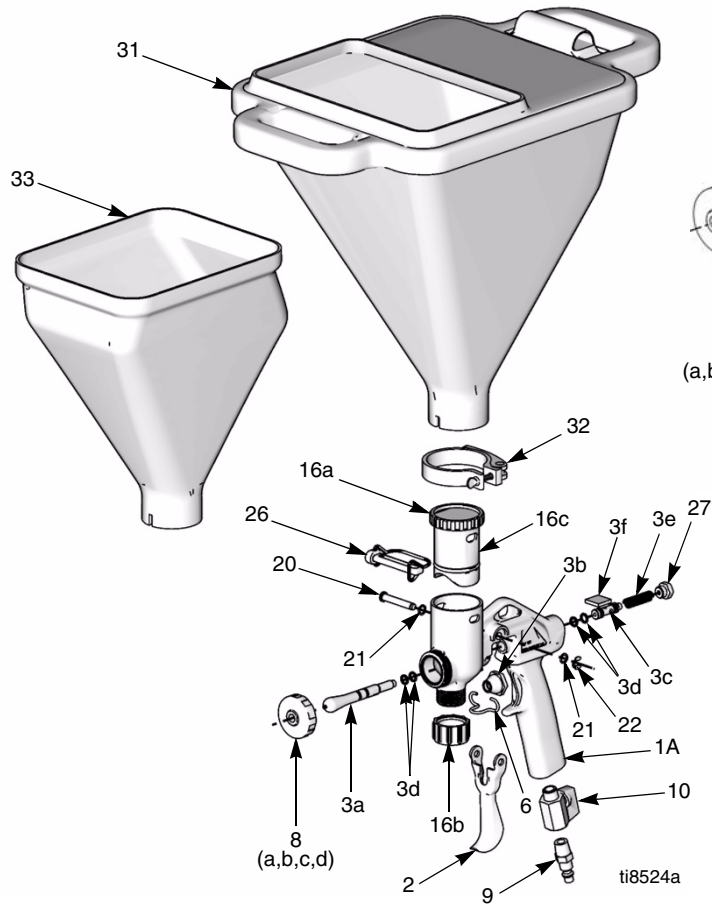


9. Pull trigger and replace nozzle.

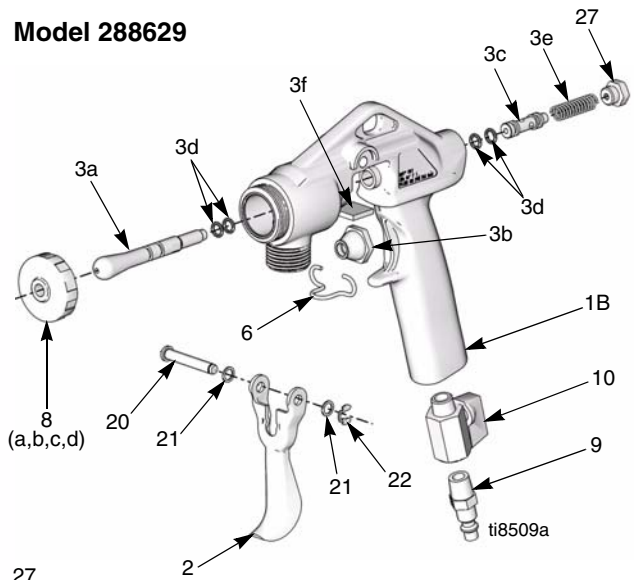


# Parts

**Model 288628 and 245924**



**Model 288629**



Ref. Part	Description	Qty
A 288628	GUN, complete, (for use with hopper)	1
B 288629	GUN, complete, (non-hopper)	1
1A 277393	BODY, gun	1
1B 277394	BODY, gun	1
2 15F913	TRIGGER, gun, trigger	1
3 258000	KIT, needle, repair includes 3a, 3b, 3c, 3d, 3e, 3f	1
3a	NEEDLE, includes o-ring	
3b	NUT, flow adjuster	
3c	GUIDE, needle	
3d	O-RING	
3e	SPRING	
3f	TAPE, foam	
6 15B168	LOCK, trigger	1
8 234153	KIT, nozzle, includes 8a, 8b, 8c, 8d	1
8a	NOZZLE, fine, beige	
8b	NOZZLE, small, white	
8c	NOZZLE, medium, gray	
8d	NOZZLE, large, black	

Ref. Part	Description	Qty
9 169970	FITTING, line air	1
10 15B565	VALVE, ball	1
16 234162	KIT, plug, includes 16a, 16b, 16c	1
16a	PLUG, hopper	
16b	PLUG, hose, port	
16c	O-RING	
20 118717	PIN, clevis w/ring groove	1
21 107243	WASHER	2
22 115999	RING, retaining	1
26 287967	PIN, clip gun	1
27 15J635	PLUG	1
31 234225	KIT, hopper, 1.5 gallon (includes 32)	1
32 234188	CLAMP	1
33 234222	KIT, hopper, 0.75 gallon (includes 32)	1

**Technical Data**

Air Consumption	3.5-11 cfm at 15 to 100 psi
Weight	35 oz (1600 g)

*All written and visual data contained in this document reflects the latest product information available at the time of publication.  
Graco reserves the right to make changes at any time without notice.*

*This manual contains English. MM 311777*

**Graco Headquarters:** Minneapolis

**International Offices:** Belgium, China, Japan, Korea

**GRACO INC. P.O. BOX 1441 MINNEAPOLIS, MN 55440-1441**

[www.graco.com](http://www.graco.com)

311777D

Revised 09/2007